



# HORGAN

Established in October 2010  
Original Design Manufacturer

# About the company

Horgan was established in 2010. The technique of LED industrial has been growing significantly in the past few years. However, it is still hard to develop a work which combines high standard of quality and unique design in Taiwan and therefore makes an impact on the business marketing. In this case, Horgan incorporated by BravoCasa- one of the leading lighting enterprises of Taiwan, with many years of experience in Original Design Manufacture for other prominent companies worldwide- including Europe, U.S.A. and Japan. We have established a symbol of designing in high standard quality as well as retaining a good collaboration with our manufactories. We are striving to make improvements in all details and we aim to present ourselves as an outstanding Taiwanese brand to the international markets.



HORGAN  
FOR ONE OF THE BEST EUROPEAN LUMINAIRE  
LIGHTING CORPORATION



# Identity

Horgan- A brand of Ordnance Bench Mark, with many years ODM for one of the most well-known luxury European lighting enterprises ; The identity is transforming the new materials into unlimited possibility. Our goal is certainly to formulate a rigorous criterion in order to achieve the highest standard followed by world famous clients. Furthermore, we have successfully built up a good relationship with prominent lighting companies and this allowed us to command the trend of newer design and fresh information. Support us and continue to discover various elements and be able to apply on different LED lighting ideas.

# Core-values

Constantly create new designs, give new thoughts and search for new techniques never rest at Horgan. It is also a fundamental principle to maintain long term collaboration with our clients. We are committed to the spirit of taking challenges, finding new ideas on our products.

Continuously offer an outstanding service level and the same attitude looking for all details and personal communications. Our goal is to satisfy the most requested needs and keep our clients happy; striving to be the best in all we do.







HORGAN

X



Audi

## Rainfall

Rainfall Project: Cafe shop in Audi,  
Taipei (Taiwan)





## PRODUCTS

Top quality and service

1. **TANGO** Table Lamp
4. **TANGO** Pincer Grip Table Lamp
7. **TANGO** Floor Lamp
10. **TANGO** Table Lamp in Square Cover
13. **Eco-Bud** Solid wood lighting

# HORGAN



HORGAN

LIGHT ON YOUR TOUCH



TANGO  
HIGH POWER LED LAMP



01

# TANGO Table Lamp







## Tango Table Lamp functions



- ▶ **Polarizing light filter technology reduces glare and provides optimal lighting for your reading**  
The LED chips from the German brand Osram; combines both high-performance and high colour rendering. The filter design is able to overcome multiple images, feel the evenly distributed and soft lighting effect also avoid common glare problems associated with LED lamps.



- ▶ **Ball joint flexible adjustment**  
Spherical joints designed with high- precision, providing a wide range of illumination and extensibility, ready to provide you the best angle for use. All joints processed by top chromate treatment (the same standard as Harley Motor). Therefore not only is the durability greatly enhanced, but also demonstrate the fine texture.



- ▶ **Five- steps dimming function**  
The use of Cypress CapSense; highly technological sense of touch power switch and five- steps dimming panel. Users can adjust the brightness by sliding fingers on the touchpad. Simple and relaxed atmosphere creates the best lighting environment.

## TANGO Table Lamp

### I Product Specifications

Light Source: White/ Yellow.

Weight: 2.4 kg.

Dimensions: Width 60cm, high 45cm,  
base diameter 22 cm.

Material: Zinc Aluminum Foundry Alloy.

Colours: White/ Black /

Silver/ Red/ Yellow

### I Lighting Specifications:

Light source: OSRAM LED lamp.

Colour temperature: Yellow 300K

White 5700K

Illumination: Yellow 850 Lux (max)

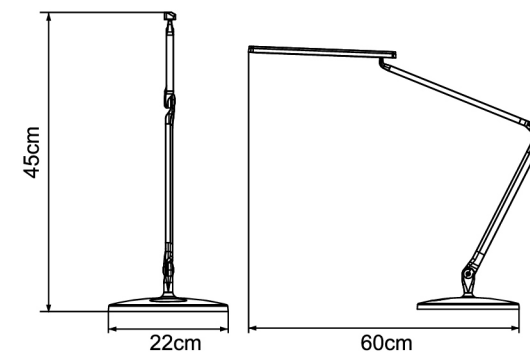
White 1000 Lux (max)

Colour rendering: Ra- 85

### I Voltage:

Power Capacity: 100V- 240C

Power Consumption: 11.5W



# HORGAN

LIGHT ON YOUR TOUCH



**TANGO**  
HIGH POWER LED LAMP

04

# TANGO Pincer Grip Table Lamp





# HORGAN



## Tango Pincer Grip Table Lamp functions



► **Polarizing light filter technology reduces glare and provides optimal lighting for your reading**

The LED chips from the German brand Osram; combines both high-performance and high colour rendering. The filter design is able to overcome multiple images, feel the evenly distributed and soft lighting effect also avoid common glare problems associated with LED lamps.



► **Ball joint flexible adjustment**

Spherical joints designed with high-precision, providing a wide range of illumination and extensibility, ready to provide you the best angle for use. All joints processed by top chromate treatment (the same standard as Harley Motor). Therefore not only is the durability greatly enhanced, but also demonstrate the fine texture.



► **Three-steps dimming function**

Instead of traditional mechanical switches, the three sections touch dimmer function can extend product life duration and last up to one million times longer. The use of Cypress CapSense; highly technological sense of touch power switch and three-steps dimming panel. Users can adjust the brightness by sliding fingers on the touchpad. Simple and relaxed atmosphere creates the best lighting environment.

# TANGO

## Pincer Grip Table lamp

### I Product Specifications

Light Source: White/ Yellow.

Weight: 2.4 kg.

Dimensions: Width 60cm, high 45cm,  
base diameter 8.2 cm.

Material: Zinc Aluminum Foundry Alloy.

Colours: White/ Black /  
Silver/ Red/ Yellow

### I Lighting Specifications:

Light source: OSRAM LED lamp.

Colour temperature: Yellow 3000K  
White 5700K

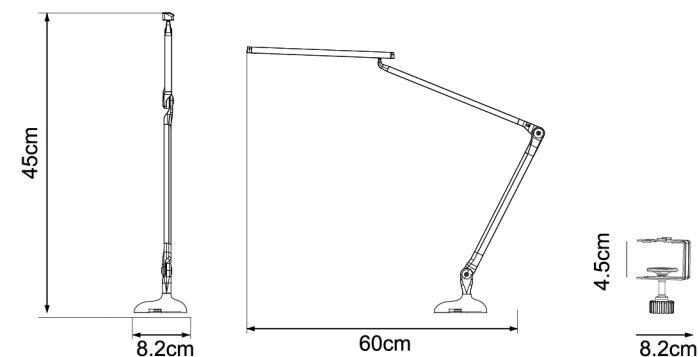
Illumination: Yellow 850 Lux (max)  
White 1000 Lux (max)

Colour rendering: Ra- 85

### I Voltage:

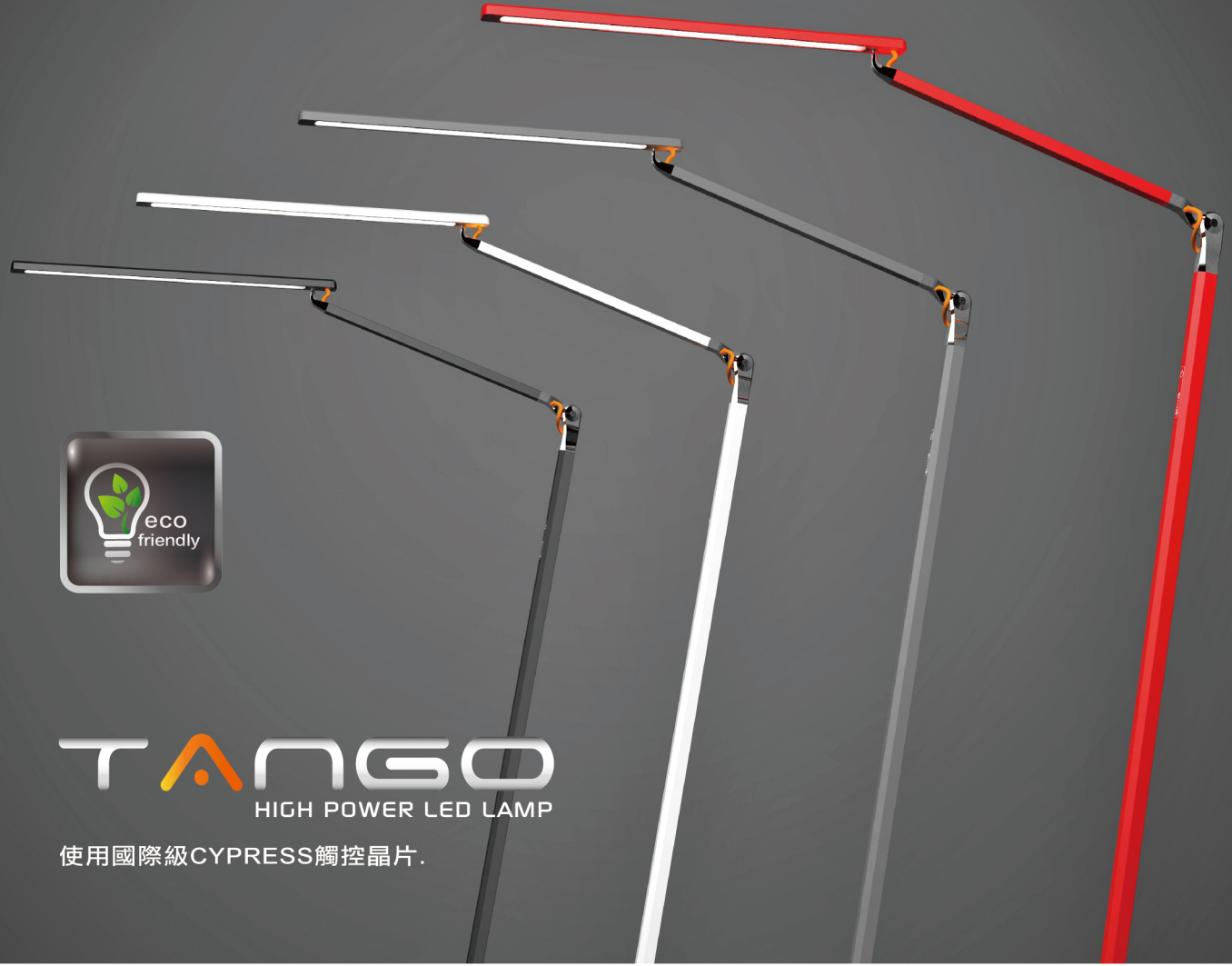
Power Capacity: 100V- 240C

Power Consumption: 11.5W



HORGAN

LIGHT ON YOUR TOUCH



TANGO  
HIGH POWER LED LAMP

使用國際級CYPRESS觸控晶片。

07



# TANGO Floor Lamp





## Tango Floor lamp functions



► **Polarizing light filter technology reduces glare and provides optimal lighting for your reading**

The LED chips from the German brand Osram; combines both high- performance and high colour rendering. The filter design is able to overcome multiple images, feel the evenly distributed and soft lighting effect also avoid common glare problems associated with LED lamps.



► **Ball joint flexible adjustment**

Spherical joints designed with high- precision, providing a wide range of illumination and extensibility, ready to provide you the best angle for use. All joints processed by top chromate treatment (the same standard as Harley Motor). Therefore not only is the durability greatly enhanced, but also demonstrate the fine texture.



► **Three- steps dimming function**

Instead of traditional mechanical switches, the three sections touch dimmer function can extend product life duration and last up to one million times longer. The use of Cypress CapSense; highly technological sense of touch power switch and three- steps dimming panel. Users can adjust the brightness by sliding fingers on the touchpad. Simple and relaxed atmosphere creates the best lighting environment.

# TANGO Floor Lamp

**I Product Specifications**

Light Source:White/ Yellow.

Weight:3.1 kg.

Dimensions:Width68cm,high134cm,  
base diameter 28 cm.

Material:Zinc Aluminum Foundry Alloy.

Colours:White/ Black / Silver/ Red/

**I Lighting Specifications:**

Light source: OSRAM LED lamp.

Colour temperature: Yellow 3000K

White 5700K

Illumination: Yellow 900 Lux (max)

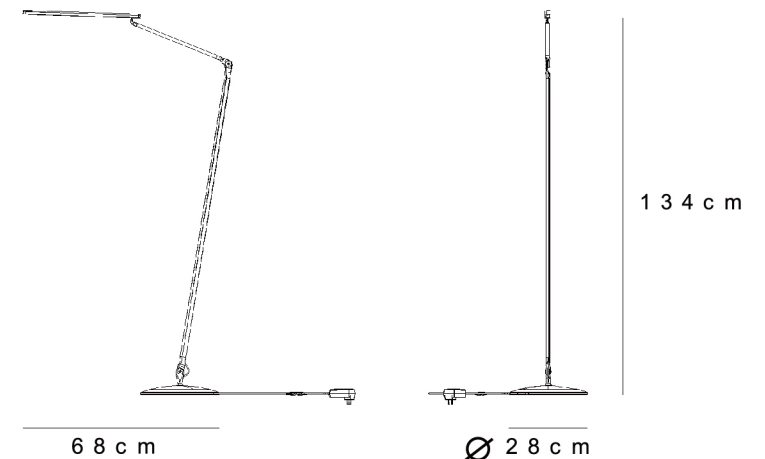
White 1100 Lux (max)

Colour rendering: Ra- 85

**I Voltage:**

Power Capacity: 100V- 240C

Power Consumption: 13.5W



HORGAN  
LIGHT ON YOUR TOUCH



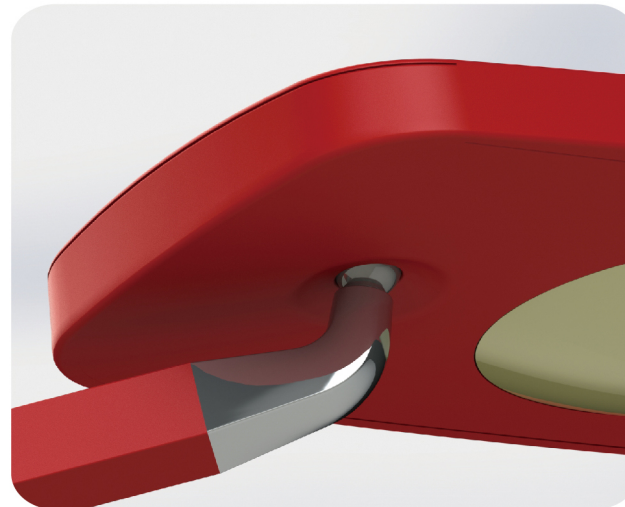
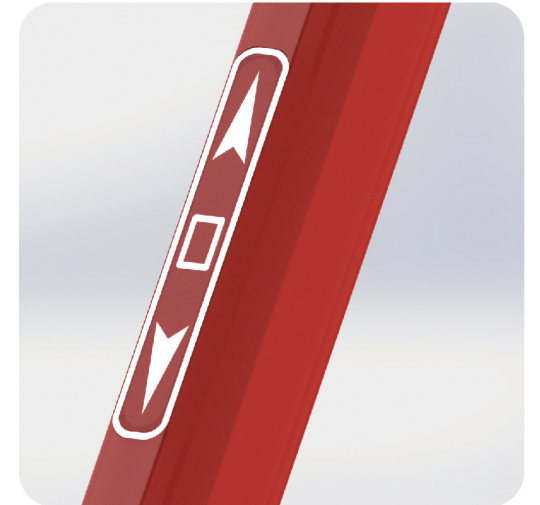
TANGO  
HIGH POWER LED LAMP



10



# Table Lamp in Square Cover



# HORGAN



## Tango Table Lamp in Square Cover

▶ **Polarizing light filter technology reduces glare and provides optimal lighting for your reading**

The LED chips from the German brand Osram; combines both high-performance and high colour rendering. The filter design is able to overcome multiple images, feel the evenly distributed and soft lighting effect also avoid common glare problems associated with LED lamps.

▶ **Ball joint flexible adjustment**

Spherical joints designed with high-precision, providing a wide range of illumination and extensibility, ready to provide you the best angle for use. All joints processed by top chromate treatment (the same standard as Harley Motor). Therefore not only is the durability greatly enhanced, but also demonstrate the fine texture.

▶ **Three- steps dimming function**

Instead of traditional mechanical switches, the three sections touch dimmer function can extend product life duration and last up to one million times longer. The use of Cypress CapSense; highly technological sense of touch power switch and three-steps dimming panel. Users can adjust the brightness by sliding fingers on the touchpad. Simple and relaxed atmosphere creates the best lighting environment.

## TANGO Table Lamp in Square Cover

**I Product Specifications**

Light Source: White/ Yellow.

Weight: 2.4 kg.

Dimensions: Width 60cm, high 45cm,  
base diameter 22 cm.

Material: Zinc Aluminum Foundry Alloy.

Colours: White/ Black / Silver/ Red/

**I Lighting Specifications:**

Light source: OSRAM LED lamp.

Colour temperature: Yellow 3000K

White 5700K

Illumination: Yellow 850 Lux (max)

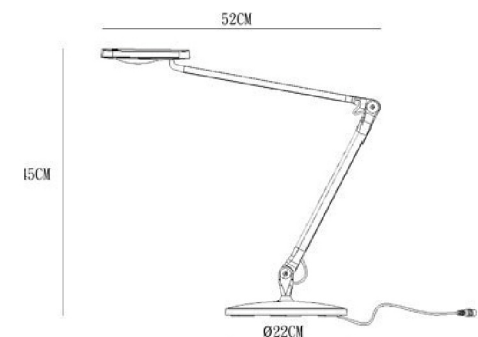
White 1000 Lux (max)

Colour rendering: Ra- 85

**I Voltage:**

Power Capacity: 100V- 240C

Power Consumption: 11.5W





Solid wood lighting

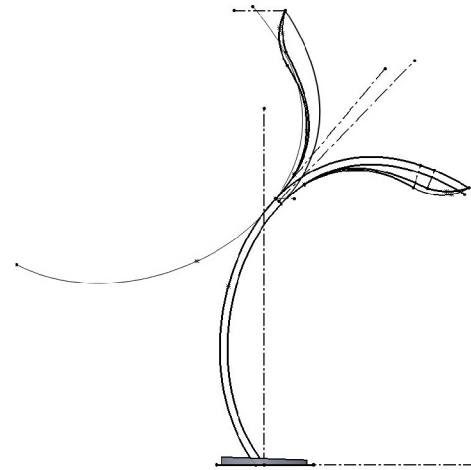


ECO- Bud  
HIGH POWER LED LAMP



13

# ECO- Bud Solid wood lighting





# HORGAN

Eco- Bud has its meaning of Re- born & germination. It is a premiere hand- made production of solid wood lighting by Horgan.



White Teak    Rosewood

## ECO- Bud Solid wood lighting

**I Product Specifications**  
Light Source: White/ Yellow.  
Material: Woods based on white teak wood, rosewood

**I Lighting Specifications:**  
Light source: OSRAM LED lamp.  
Colour temperature: Yellow 3000K  
White 5700K  
Illumination: Yellow 1000 Lux (max)  
White 1300 Lux (max)

**I Voltage:**  
Power Capacity: 100V- 240C  
Power Consumption: 11.5W  
LED Total power: 13.5 W

## ECO- Bud Solid wood lighting function



▶ **Polarizing light filter technology reduces glare and provides optimal lighting for your reading**

The LED chips from the German brand Osram; combines both high- performance and high colour rendering. The filter design is able to overcome multiple images, feel the evenly distributed and soft lighting effect also avoid common glare problems associated with LED lamps.



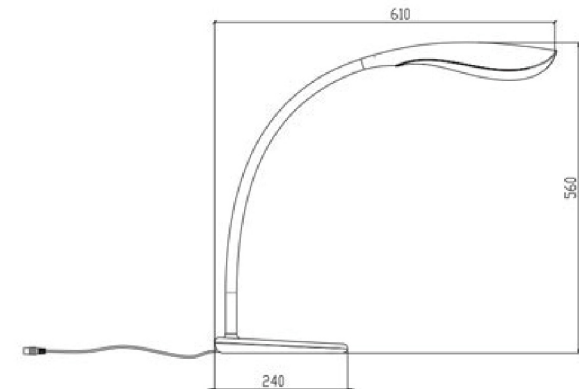
▶ **360° rotation provides flexible use**

A wireless hinge allows for 360° rotation, providing a diverse range of illumination and extensibility, simple and relaxed atmosphere, and yet, creates the best lighting environment.



▶ **One- key dimming function**

The use of Cypress CapSense; highly technological sense of touch power switch and one- key dimming panel. Users can adjust the brightness by simply pressing fingers on the touchpad. Simple and relaxed atmosphere creates the best lighting environment.



# HORGAN

## Horgan Co., Ltd.

N0101. sec. 2. tanfu Rd, Tanzi Dist,  
Taichung City 42753 Taiwan, R. O. C

TEL: +886-4-2534-4077

FAX: +886-4-2534-4079

SERVICE DEPARTMENT: [service@horgan.com.tw](mailto:service@horgan.com.tw)

<http://www.horgan.com.tw/home>